

L80 PNEUMATIC



www.k-dyne.com

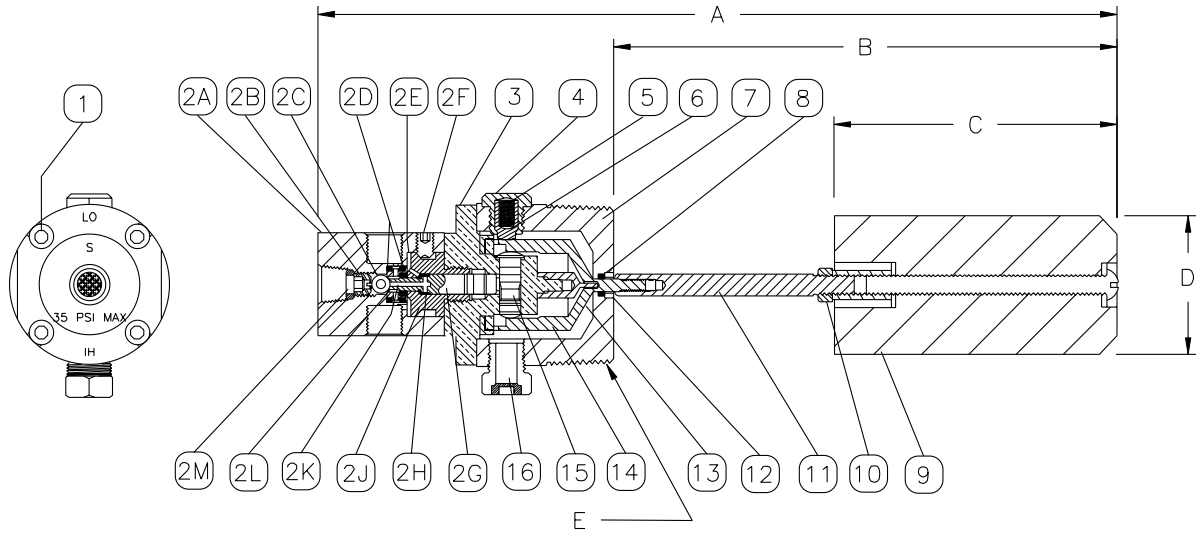
702 South Persimmon, Suite 1C
Tomball, TX 77375
P: 281.397.7099
F: 281.397.7495

MODEL L80 PNEUMATIC

The Model L80 switch incorporates a pneumatic 3-way valve, providing positive and fast system response. Its design has a non-adjustable trip point and narrow level operation range making it perfect for applications where trip point tampering is unacceptable. An internal stainless steel supply gas filter reduces maintenance requirements.

DIMENSIONS in. (mm)

A	11.66 (296)
B	7.35 (187)
C	4.10 (104)
D	2.00 (50)
Weight	3.6 Lbs (1.64 kg)



Parts List for Level Switch L80

ITEM NO.	QTY.	DESCRIPTION	MATERIAL	PART NO.
1	4	Socket Cap Screw	316 SST	TA-08K-0G3
2	1	Valve Assembly	Detailed Below	88-008-0B0
2A	1	Valve Body	316 SST	80-005-0A0
2B	1	Ball Retainer	18-8 SST	80-024-000
2C	1	Ball	Tungsten Carbide	BL-250-25T
2D	2	Seat O-Ring	Fluorocarbon	V0-012-75H
2E	1	Body O-Ring	Fluorocarbon	V0-019-75H
2F	3	Set Screw	18-8 SST	T9-08K-0C4
2G	1	Valve Stem	316 SST	80-019-000
2H	1	Valve Stem Spring	316 SST	80-035-000
2J	1	Adaptor Head	316 SST	80-004-000
2K	1	Valve Stem O-Ring	Fluorosilicone	FO-008-70T
2L	1	Seat	316 SST	80-006-000
2M	1	Filter Disk	316 SST	80-053-000
3	1	Pivot Body	316 SST	80-017-000
4	1	Spring Cap	316 SST	30-012-000
5	1	Spring	Inconel X-750	30-014-000
6	1	Spring Guide	Acetal	30-008-000
7	1	2" NPT Body	316 SST	30-001-NB0
8	1	Body Seal	Fluorocarbon	V0-008-75H
9	1	Displacer Assembly	Polypropylene 316 SST	30-016-000 30-068-000
10	1	Hex Nut	316 SST	T6-08K-073
11	1	Float Rod	316 SST	30-005-0A0
12	1	Seal Retainer	316 SST	30-007-0A0
13	1	Pivot	17-4 PH SST.	30-079-000
14	1	Cone	17-4 PH SST	30-085-000
15	1	Transverse Rod Assy	316 SST & PTFE	88-043-000
16	1	Body Vent	316 SST	99-010-000
17	---	Repair Kit	Items: 2C,D,E,H,K,M,8,13	80-020-000

SPECIFICATIONS

Maximum Test Pressure PSI (BAR) @ 100° F (37° C)	3240 (223)
Maximum Working Pressure PSI (BAR) @ 100° F (37° C)	2160 (149)
Ambient Temperature Range	-20/+180° F -29/+82° C
Maximum Process Fluid Temperature	180° F (93° C) 450° F (232° C)
Minimum Specific Gravity	0.6
Maximum Supply Pressure PSI (BAR)	35 (2.41)
Valve Cv Factor	0.042

Ordering Number L80 3 V O H

STANDARD	N.A.C.E.	HIGH TEMP (+180° F)	316 & 17-4 PH ST. STEEL	FLUOROCARBON	BUNA-N (180° F)	KALREZ (450° F)	POLYPROPYLENE (210° F)	316 SST DISPLACER (450° F)	3-WAY PNEUMATIC VALVE	HIGH (REVERSE ACTING)	LOW (DIRECT ACTION)	NO OPTIONS	ADJUSTABLE SPRING	NO ADJUSTMENT	FLOAT ROD 2=1.87, 6=3.25, 8=6.40, 10 = 12.25"	HORIZONTAL
—	N	H	3	V	B	K	P	3	V	R	D	O	A	N	X	H