

T80 FLANGED TOP MOUNT ADAPTOR

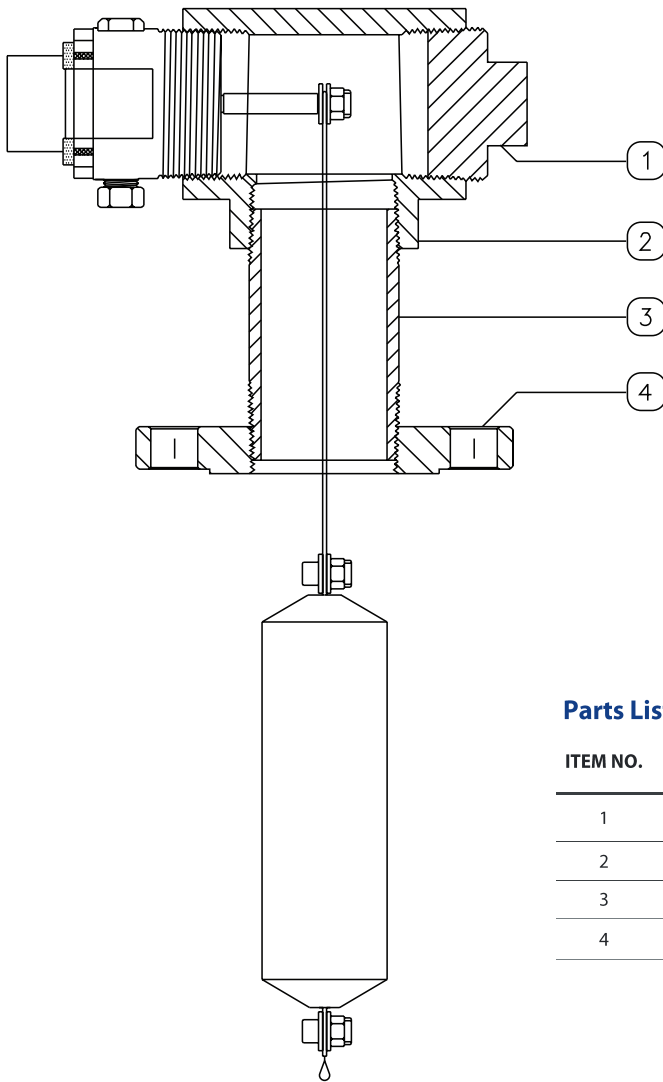


www.k-dyne.com

702 South Persimmon, Suite 1C
Tomball, TX 77375
P: 281.397.7099
F: 281.397.7495

MODEL T80 FLANGED TOP MOUNT ADAPTOR

The T80 Top Mount Adaptor Flanges are designed specifically for mounting the K-Dyne Model L80 pneumatic and electric level switches with vertical displacers. Incorporating an ANSI flange, this design is well suited for mounting the level switch directly to a tank or pressurized vessel eliminating the need for any external piping.



Parts List for T80

ITEM NO.	QTY.	DESCRIPTION	MATERIAL	PART NO.
1	1	Plug	Malleable Iron	LP-4C200SP
2	1	Tee	Malleable Iron	LP-4C222FT
3	1	Nipple	Carbon Steel	LP-4C204PN
4	1	Flange	ASTM A105	3F-018-000

Ordering Number

T80-□□FC00004

2" SIZE	3" SIZE	4" SIZE	6" SIZE	ANSI 150	ANSI 300
2	3	4	6	1	3

SPECIFICATIONS

Maximum Test Pressure PSI (BAR) @ 100° F (37° C)	425 (29)
Maximum Working Pressure PSI (BAR) @ 100° F (37° C)	275 (19)
Operating Temperature Range	See Level Switch Range