

L80 ELECTRIC VERTICAL



www.k-dyne.com

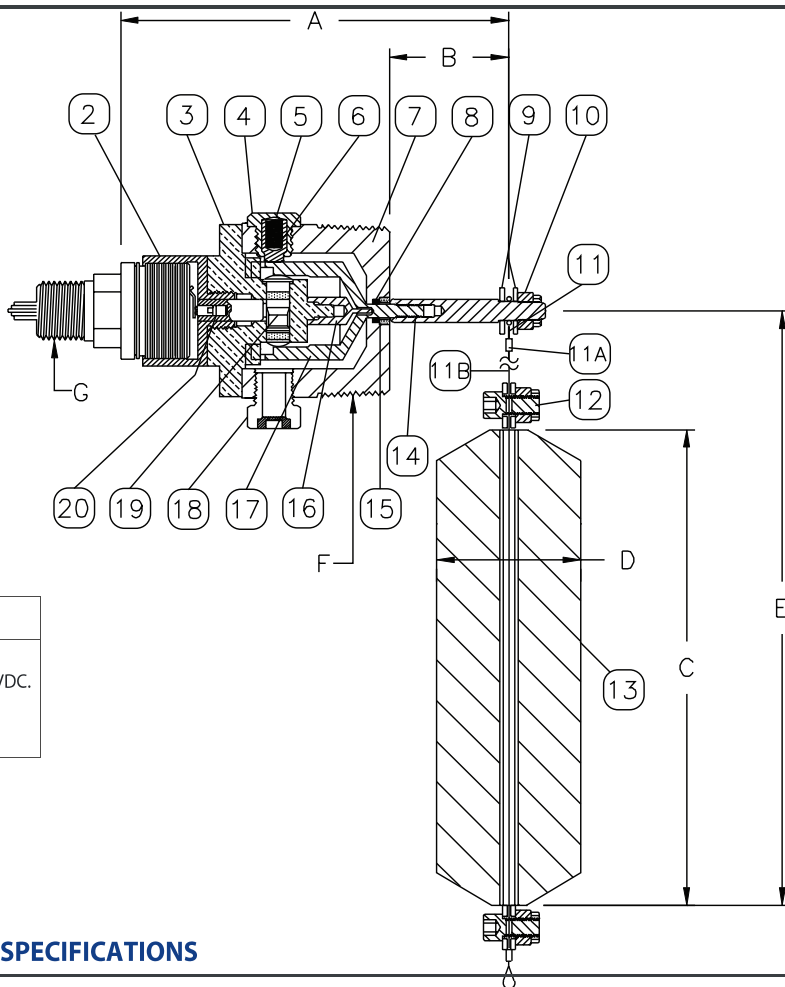
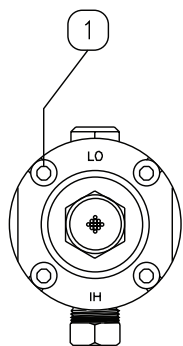
702 South Persimmon, Suite 1C
Tomball, TX 77375
P: 281.397.7099
F: 281.397.7495

MODEL L80 ELECTRIC VERTICAL

Designed for top mounting on a tank or vessel, this configuration of the 2" NPT thread mounted Model L80 level switch incorporates a vertical cable supported displacer. The trip point is easily adjusted by changing the location of the displacer along the available cable length. Factory installed explosion proof junction boxes with terminals are available.

DIMENSIONS in. (mm)

A	5.90 (150)
B	1.70 (43)
C	12.0 (305)
D	2.00 (21)
E	1'-10'
F	2.00
G	1.37 (35)
Weight	4.6 Lbs (2.1 kg)



	LOCATION	ELECTRICAL
SWITCH	U.L. TM rated dry contact snap switch for hazardous locations Class I groups A, B, C & D Class II groups E, F & G	U.L. TM rated 11 Amps 1/4 HP @ 125/250 VAC. ; 5 Amps Res. @ 28 VDC. ; 5 Amps @ 125 VDC.

Parts List for Level Switch L80

ITEM NO.	QTY.	DESCRIPTION	MATERIAL	PART NO.
1	4	Socket Cap Screw	316 SST	TA-08K-0G3
2	1	DPDT/SPDT Assy.	316 SST	88-015-000
3	1	Pivot Body	316 SST	80-017-000
4	1	Spring Cap	316 SST	30-012-000
5	1	Spring	Inconel X-750	30-014-000
6	1	Spring Guide	Acetal	30-008-000
7	1	2" NPT Body	316 SST	30-001-NB0
8	1	Body Seal	Fluorocarbon	VO-008-75H
9	2	Washers	316 SST	WB-AKO-J43
10	1	Lock Nut	316 SST	TB-08K-J43
11	1	Cable Assembly	Detailed Below	30-035-002
11A	2	Crimps	304 SS	30-063-000
11B	A/R	.046" Diameter Cable	316 SST	30-090-000
12	2	Grip Assembly	316 SST	80-011-000
13	1	Displacer Assembly	Polypropylene	80-063-000
14	1	Float Rod	316 SST	30-053-0A0
15	1	Seal Retainer	316 SST	30-007-0A0
16	1	Pivot	17-4 PH SST	30-079-000
17	1	Cone	17-4 PH SST	30-085-000
18	1	Body Vent Screen	316 SST & Fluorocarbon	99-010-000
19	1	Transverse Rod.	316 SST & PTFE	88-044-000
20	A/R	Push Rod Assembly	Acetal & 18-8 SS	88-028-000
21	---	Repair Kit	Items: 8-16	88-019-000

SPECIFICATIONS

Maximum Test Pressure PSI (BAR) @ 100° F (37° C)	3240 (223)
Maximum Working Pressure PSI (BAR) @ 100° F (37° C)	2160 (149)
Ambient Temperature Range	-20/+165° F -29/+74° C
Maximum Process Fluid Temperature	180° F (93° C)
Specific Gravity Range	0.6—1.4

Ordering L80

STANDARD	N.A.C.E.	316 & 17-4 PH ST. STEEL	FLUOROCARBON	BUNA-N (180° F)	POLYPROPYLENE (210° F)	SPDT SWITCH	DPDT SWITCH	HIGH (REVERSE ACTING)	NO OPTIONS	EXPLOSION PROOF JUNCTION BOX	ADJUSTABLE SPRING	NO ADJUSTMENT	FLOAT ROD 2=1.87, 6=3.25, 8=6.40	VERTICAL 1" TO 1' CABLE	VERTICAL 1" TO 5' CABLE	VERTICAL 5' TO 10' CABLE
—	N	3	V	B	P	S	D	R	0	C	A	N	X	1	2	3